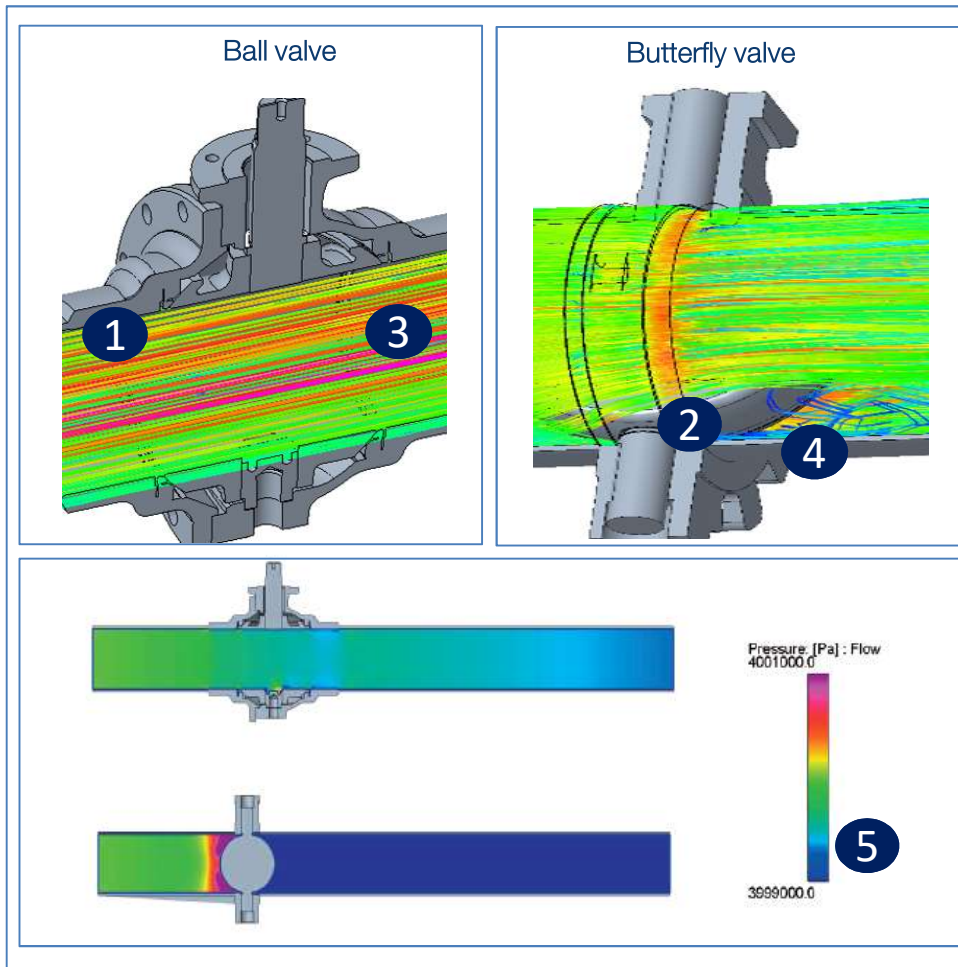


# DO YOU KNOW...?

## ADVANTAGES OF A FULL BORE VALVE:



### Advantages:

- 1 » Cylindrical passage
- 2 » No construction related obstacles → for example the disc of a butterfly valve
- 3 » Laminar flow
- 4 » No creation of turbulences and therefore no vibrations
- 5 » Low pressure drop
  - » Low energy cost for fluid handling → smaller pumps
  - » Lower electrical consumption
  - » Full bore valves have the highest flow rate → Kv value